

## Clamp on Ultrasonic Flow meter

## GTUF200



Both the main unit and sensor of the **GTUF200** flow meter are fixed on the pipe.

Default is IP65, IP68 is optional.

Clamp on sensors are installed on the pipe. Suitable for pipe sizes from DN32mm to DN6000mm.

### Working Condition

	Main Unit	Sensor
Protection	IP65	IP68
Temperature	-20~60°C	-30~160°C

### Basic Parameters

Accuracy	≤1%
Velocity Range	0~±8m/s, Bi-directional measurement
Pipe Size	DN32~DN6000
Temperature	-30~160°C
Type of Liquid	Single liquid can transmit sound wave. such as water, sea water, sewage, oil, chemicals , alcohol, etc
Pipe Material	Steel, Stainless steel, Cast iron, Copper, PVC, Aluminum, Glass steel, etc. Liner is allowed
Signal Output	1 X 4-20mA output (Impedance 0~1K, accuracy 0.1%) 1 X OCT pulse output (Pulse width 6~ 1000ms) 1 X Relay output
Signal Input	3 X 4-20mA input, achieve to heat measurement by connecting PT100 platinum resistor.
Interface	RS485, support MODBUS
Data Storage	SD card regularly store the pre-set results (optional)
Power Supply	DC8-36V
Signal cable	Standard: 5m. 10m.

## Optional Clamp on sensors

### Standard Clamp on sensor

- Built-in magnet, easy to be absorbed on pipe
- IP68
- Measuring range: DN32~DN6000
- Temperature range: -30~90°C



Type	Model	Measuring Range	Temperature	Dimension
Small Size	GTS	DN32~DN100	-30~90°C	45x25x28mm
Middle Size	GTM	DN50~DN700	-30~90°C	64x39x44mm
Large Size	GTL	DN300~DN6000	-30~90°C	97x54x53mm

### High Temperature Clamp on sensor

- Built-in magnet, easy to be absorbed on pipe
- IP68
- Measuring range: DN32~DN6000
- Temperature range: -30~160°C



Type	Model	Measuring Range	Temperature	Dimension
Small Size	GTS-HT	DN32~DN100	-30~160°C	45x25x28mm
Middle Size	GTM-HT	DN50~DN700	-30~160°C	64x39x44mm
Large Size	GTL-HT	DN300~DN6000	-30~160°C	97x54x53mm

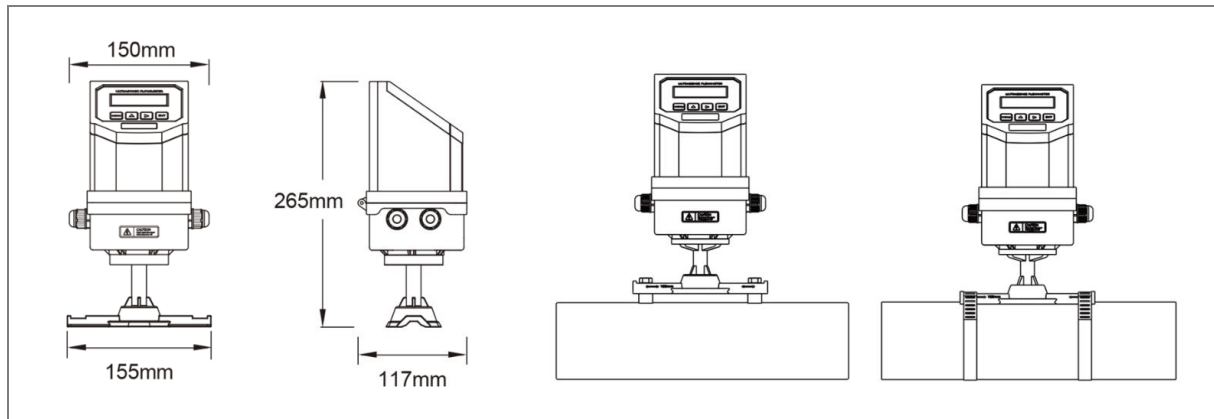
### Mounting Bracket Clamp on sensor

- Improve installation efficiency and accuracy
- IP68
- Measuring range: DN32~DN700
- Temperature range: -30~160°C



Type	Model	Measuring Range	Temperature	Dimension
Standard Small Size Sensor	SS	DN32~DN100	-40~90°C	318x59x85mm
Standard Middle Size Sensor	SM	DN50~DN300	-40~90°C	568x59x85mm
Extended (bracket only)	EB	>DN300	-40~90°C	88x59x49mm
High Temp. Small Size Sensor	SS-HT	DN32~DN100	-40~160°C	318x59x145mm
High Temp. Middle Size Sensor	SM-HT	DN50~DN300	-40~160°C	568x59x145mm
Extended (bracket only)	EB-HT	>DN300	-40~160°C	88x59x49mm

## Dimension



## Ordering Information

Model: GTUF200		Clamp-on Ultrasonic Flow Meter *(Transducers)
Converter style	F	Fixed type
	R	Rotatable
Optional Sensors	<b>Sensor</b>	
	GTS	Standard Clamp on type small
	GTM	Standard clamp on type middle
	GTL	Standard clamp on type large
	GTS-HT	High temp. clamp on small
	GTM-HT	High temp. clamp on middle
	GTL-HT	High temp. clamp on large
	<b>Mounting bracket</b>	
	N	Not included.
	SS	Standard bracket type small
	SM	Standard bracket type middle
	EB	Extended (bracket only)
	SS-HT	High temp. bracket type small
	SM-HT	High temp. bracket type middle
EB-HT	Extended (bracket only)	
Cable Length (meter)	5	X 5m
	10	X 10m
	O	Others
Option		
SD Card	0	Without SD card
	1	With SD card